

PLEASE CHECK WWW.MOLEX.COM FOR LATEST PART INFORMATION

Part Number: [0502323613](#)
Status: **Active**
Description: Ring Tongue Terminal for 10 and 12 AWG, Closed Insulated Vinyl Flared Barrel, Yellow, Stud Size 5/16" (M8), Oxygen-Free Copper, Length 34.90mm (1.374")

Documents:

[Drawing \(PDF\)](#) [RoHS Certificate of Compliance \(PDF\)](#)
[Product Specification PS-50230-001 \(PDF\)](#)

General

Product Family	Ring and Spade Terminals
Series	50232
Crimp Quality Equipment	Yes
Mil-Spec	N/A
Product Name	RBV (Ring Vinyl Flared)
Type	Ring

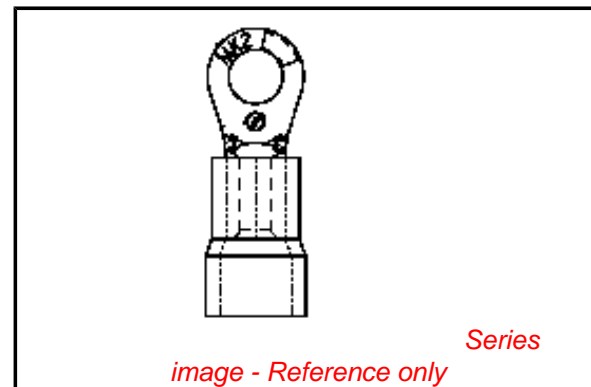
Physical

Barrel Type	Closed - Brazed
Color - Resin	Yellow
Insulation	PVC
Material - Plating Mating	Tin
Packaging Type	Bag
Stud Size	5/16" (M8)
Wire Size AWG	10, 12
Wire Size mm ²	2.63 - 6.64

Material Info

Reference - Drawing Numbers

Product Specification	PS-50230-001
Sales Drawing	SD-50232-001



EU RoHS

ELV and RoHS Compliant
REACH SVHC
 Not Reviewed
Halogen-Free Status
Not Reviewed

China RoHS

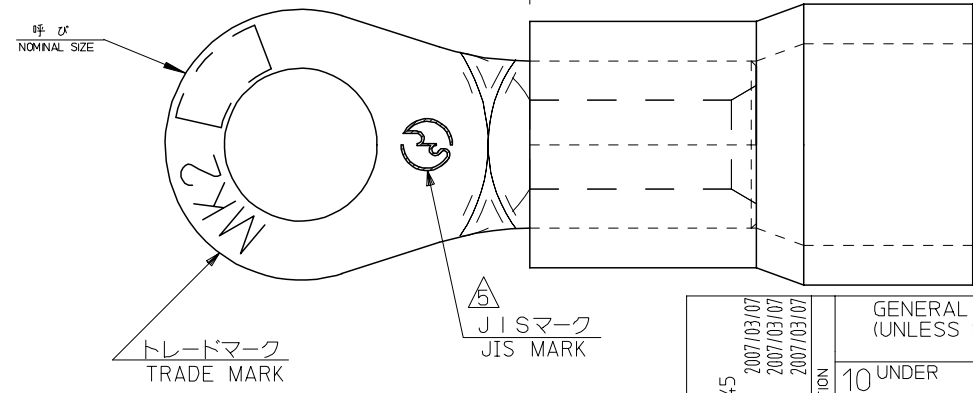
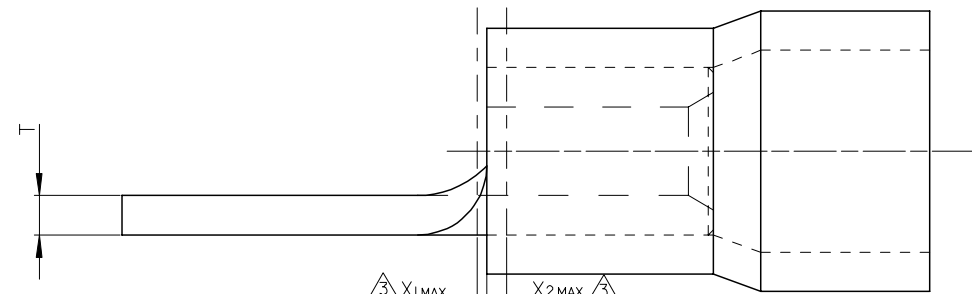
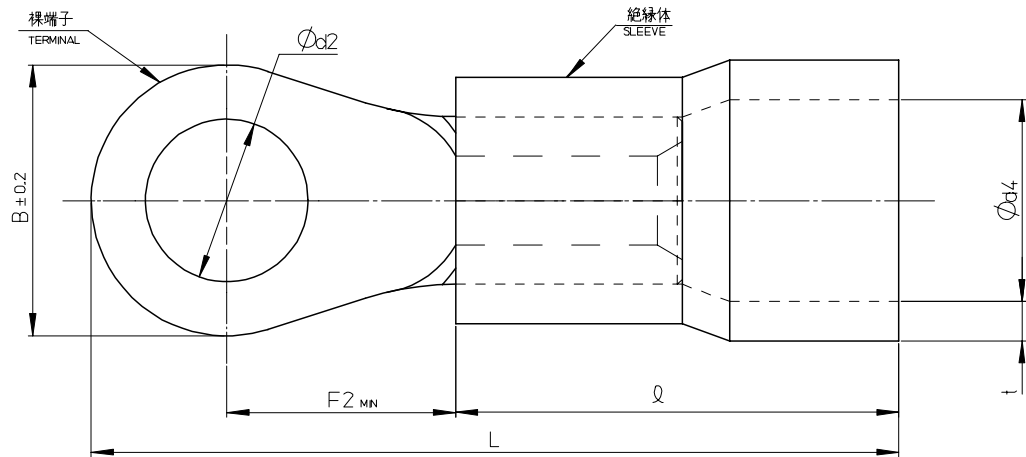


Need more information on product environmental compliance?

Email productcompliance@molex.com
 For a multiple part number RoHS Certificate of Compliance, [click here](#)

Please visit the [Contact Us](#) section for any non-product compliance questions.

Search Parts in this Series
[50232Series](#)



注記NOTES

- 材質 MATERIAL
 裸端子：無酸素銅，スズメッキ
 TERMINAL: OXYGEN FREE COPPER, TIN PLATING
 ろう付け部：りん銅ろう
 BRAZING: COPPER PHOSPHORUS BRAZING FILLER METALS
 絶縁体：硬質塩化ビニル
 SLEEVE: RIGID PVC (POLYVINYLCHLORIDE)

2. 適用電線 APPLICABLE WIRE RANGE

ENG.NO.	単線(mm) SOLID WIRE (mm)	撚線(mm ²) STRAINED WIRE (mm ²)	AWG
50232-3***	1.82-2.89	2.63-6.64	#12-#10

- △ X₁ 及び X₂ 寸法は、裸端子の筒部と絶縁体とのずれを表す。
 X₁ AND X₂ SHOW THE OFFSET BETWEEN TERMINAL AND SLEEVE.

4. MATERIAL NOの説明
LEGEND OF MATERIAL NO

50232-3△△*

- スリーブの色
SLEEVE COLOR
- 0.....白 (WHITE)
 - 2.....赤 (RED)
 - 3.....黄 (YELLOW)
 - 4.....青 (BLUE)
 - 6.....緑 (GREEN)
 - 9.....透明 (TRANSPARENCY)

- △ JIS規格品は50232-3543,-3573,-3603,-3613,-3623のみ。
 JISマークはJIS認定品のみ手部に刻印する。
 50232-3543,-3573,-3603,-3613,-3623 ARE BASED ON JIS STANDARD.
 JIS MARK SHOULD BE STAMPED AT TONGUE PART
 ONLY IN THE RECOGNITION GOODS.

- △ JIS規格品の寸法の最小値は、基本寸法の80%とする。
 IN CASE OF JIS STANDARD PRODUCT, LOWER LIMIT IS 80% OF 'I'

RELEASED EC NO: J2007-1745 DRW: K. ITO 2007/03/07 CHK: K. KASAHARA 2007/03/07 APPR: N. UKITA 2007/03/07	GENERAL TOLERANCES (UNLESS SPECIFIED)		DIMENSION STYLE MM ONLY		SCALE ---	DESIGN UNITS METRIC	THIRD ANGLE PROJECTION	
	10 UNDER	± ---	DRAWN BY K. ITO	DATE 2006/10/27	TITLE INSULATED RING TERMINAL			
	10 OVER 30 UNDER	± ---	CHECKED BY K. KASAHARA	DATE 2006/10/27	MOLEX INCORPORATED DOCUMENT NO. SD-50232-001 SHEET NO. 1 OF 2			
	30 OVER	± ---	APPROVED BY N. UKITA	DATE 2006/10/27				
	ANGULAR	± 1 °	MATERIAL NO.		SEE CHART			
DRAFT WHERE APPLICABLE MUST REMAIN WITHIN DIMENSIONS		SIZE A3		THIS DRAWING CONTAINS INFORMATION THAT IS PROPRIETARY TO MOLEX INCORPORATED AND SHOULD NOT BE USED WITHOUT WRITTEN PERMISSION				

10 9 8 7 6 5 4 3 2 1

	透明 TRANSPARENCY	緑 GREEN	青 BLUE	黄 YELLOW	赤 RED	白 WHITE	スリーブの色 SLEEVE COLOR
F	50232-3669 ↑ -3659 -3649 -3639 -3629 -3619 -3609 -3599 -3589 -3579 -3569 -3559 -3549 -3539 -3529 -3519 ↓ 50232-3509	50232-3666 ↑ -3656 -3646 -3636 -3626 -3616 -3606 -3596 -3586 -3576 -3566 -3556 -3546 -3536 -3526 -3516 ↓ 50232-3506	50232-3664 ↑ -3654 -3644 -3634 -3624 -3614 -3604 -3594 -3584 -3574 -3564 -3554 -3544 -3534 -3524 -3514 ↓ 50232-3504	50232-3663 ↑ -3653 -3643 -3633 -3623 -3613 -3603 -3593 -3583 -3573 -3563 -3553 -3543 -3533 -3523 -3513 ↓ 50232-3503	JIS -3652 -3642 -3632 -3622 -3612 -3602 -3592 -3582 -3572 -3562 -3552 -3542 -3532 -3522 -3512 ↓ 50232-3502	50232-3660 ↑ -3650 -3640 -3630 -3620 -3610 -3600 -3590 -3580 -3570 -3560 -3550 -3540 -3530 -3520 -3510 ↓ 50232-3500	スリーブの色 SLEEVE COLOR RBV 5.5 20 16 14 12 10 8 6 L5 S5 5 M4 S4 4 M3.5 S3.5 M3 S3
E	50232-3669	50232-3666	50232-3664	50232-3663	50232-3662	50232-3660	50232-3660
D	50232-3659	50232-3656	50232-3654	50232-3653	50232-3652	50232-3650	50232-3650
C	50232-3649	50232-3646	50232-3644	50232-3643	50232-3642	50232-3640	50232-3640
B	50232-3639	50232-3636	50232-3634	50232-3633	50232-3632	50232-3630	50232-3630
A	50232-3629	50232-3626	50232-3624	50232-3623	50232-3622	50232-3620	50232-3620
	50232-3619	50232-3616	50232-3614	50232-3613	50232-3612	50232-3610	50232-3610
	50232-3609	50232-3606	50232-3604	50232-3603	50232-3602	50232-3600	50232-3600
	50232-3599	50232-3596	50232-3594	50232-3593	50232-3592	50232-3590	50232-3590
	50232-3589	50232-3586	50232-3584	50232-3583	50232-3582	50232-3580	50232-3580
	50232-3579	50232-3576	50232-3574	50232-3573	50232-3572	50232-3570	50232-3570
	50232-3569	50232-3566	50232-3564	50232-3563	50232-3562	50232-3560	50232-3560
	50232-3559	50232-3556	50232-3554	50232-3553	50232-3552	50232-3550	50232-3550
	50232-3549	50232-3546	50232-3544	50232-3543	50232-3542	50232-3540	50232-3540
	50232-3539	50232-3536	50232-3534	50232-3533	50232-3532	50232-3530	50232-3530
	50232-3529	50232-3526	50232-3524	50232-3523	50232-3522	50232-3520	50232-3520
	50232-3519	50232-3516	50232-3514	50232-3513	50232-3512	50232-3510	50232-3510

△	ENG NO.	△	ENG NO.	△	ENG NO.	△	ENG NO.	△	ENG NO.	△	ENG NO.	呼び NOMINAL SIZE	呼び SIZE	MODEL NO.
---	---------	---	---------	---	---------	---	---------	---	---------	---	---------	--------------------	------------	-----------

1.0	0.8	6.4	13.5	0.5	1.0	55.1	24.9	21	RBV 5.5	20	50232-366*	
0.9	0.8	5.9	13.0			39.1	14.9	17		32	16	-365*
						37.0	13.5	15		20	14	-364*
						34.0	10.5	9		15	12	-362*
1.0	0.8	6.4	13.5			29.4	9.4	8.4		12	10	-361*
						26.6	8.4	7		8	8	-360*
						28.0	7	6.4		6	6	-359*
0.9	0.8	5.9	13.0			26.6	8.8	5.3		8.0	L5	-358*
						22.9	5.1	4.3		9.5	S5	-357*
						28.0	8.8	5.3		7.1	5	-356*
1.0	0.8	6.4	13.5			22.9	5.1	4.3		7.2	M4	-355*
						26.6	8.8	3.7		7.1	S4	-354*
				22.9	5.1	4.3	9.5	4	-353*			
0.9	0.8	5.9	13.0	26.6	8.8	3.2	7.1	M3.5	-352*			
				22.9	5.1	3.2	7.2	S3.5	-351*			
				26.6	8.8	3.2	7.2	M3	-351*			
22.9	5.1	3.2	7.2	S3	50232-350*							

T	t	∅d4	ℓ	X2	X1	L	F2	∅d2	B	呼び NOMINAL SIZE	呼び SIZE	ENG.NO.
---	---	-----	---	----	----	---	----	-----	---	--------------------	------------	---------

RELEASED EC NO: J2007-1745 DRWNG: ITO CHKD: KASAHARA APPR: NUKITA	2007/03/07 2007/03/07 2007/03/07	GENERAL TOLERANCES (UNLESS SPECIFIED)		DIMENSION STYLE		SCALE	DESIGN UNITS	THIRD ANGLE PROJECTION		
		10 UNDER ± ---		MM ONLY		---	METRIC	⊙ □		
		10 OVER 30 UNDER ± ---		DRAWN BY DATE		TITLE				
		30 OVER ± ---		K. ITO 2006/12/01		INSULATED RING TERMINAL				
		ANGULAR ± --- °		CHECKED BY DATE		MOLEX MOLEX INCORPORATED				
DRAFT WHERE APPLICABLE MUST REMAIN WITHIN DIMENSIONS		APPROVED BY DATE		MATERIAL NO.		DOCUMENT NO.		SHEET NO.		
0		N. UKITA 2006/12/01		SEE CHART		SD-50232-001		2 OF 2		
THIS DRAWING CONTAINS INFORMATION THAT IS PROPRIETARY TO MOLEX INCORPORATED AND SHOULD NOT BE USED WITHOUT WRITTEN PERMISSION										